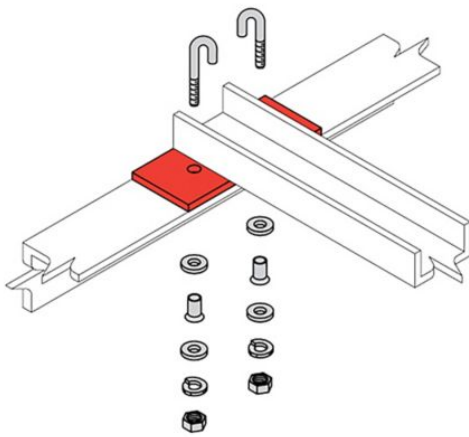


Eaton SB2001AYZ

Catalog Number: SB2001AYZ

Eaton auxiliary support kit, Yellow zinc, Grid bracket kit

General specifications



Product Name
Eaton auxiliary support kit

Catalog Number
SB2001AYZ

UPC
799038015581

Product Length/Depth
3.88 in

Product Height
2.09 in

Product Width
1.75 in

Product Weight
1.2 lb

Certifications
Not Applicable

Product specifications

Color

Computer white

Model

Grid bracket kit

Material

Steel

Finish

Yellow zinc chromate

Resources

Catalogs

[auxillary supports](#)

Specifications and datasheets

[Eaton Specification Sheet - SB2001AYZ](#)



Eaton Corporation plc
Eaton House
30 Pembroke Road
Dublin 4, Ireland
Eaton.com
© 2023 Eaton. All Rights Reserved.

Eaton is a registered trademark.

All other trademarks are property of their respective owners.



Eaton.com/socialmedia